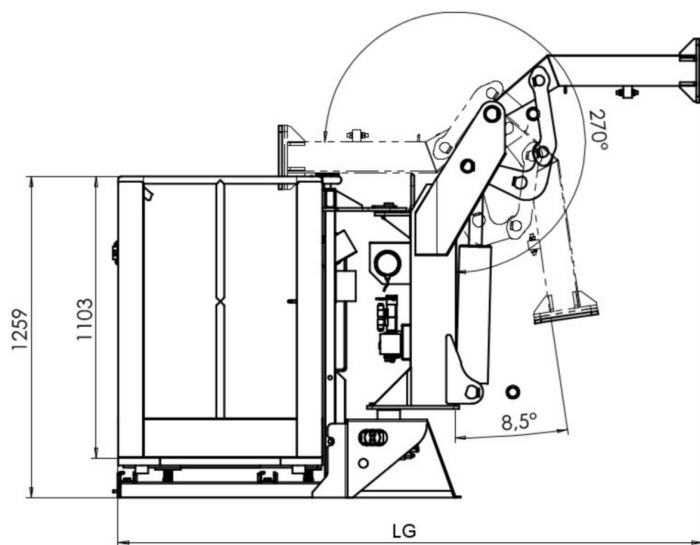




AL 300/24

Self Levelling Platform Hydraulic



SELF-LEVELING PLATFORM | AUTOMATISCHE HEBEPLATTFORM | PLATAFORMA AUTONIVELANTE
 PLATE-FORME AUTONIVELÉ | САМОВЫРАВНИВАЮЩАЯ ПЛАТФОРМА

	Kg	405
	Kg	300
	N°	3
L	mm	2460
LG	mm	2549
P	mm	1060
Rotation	gradi	±90°
Swing	gradi	170° (265°)
Voltage electrical system	V	24
Recommended flow hydraulic system	L/min	12
Maximum pressure hydraulic system	bar	190

